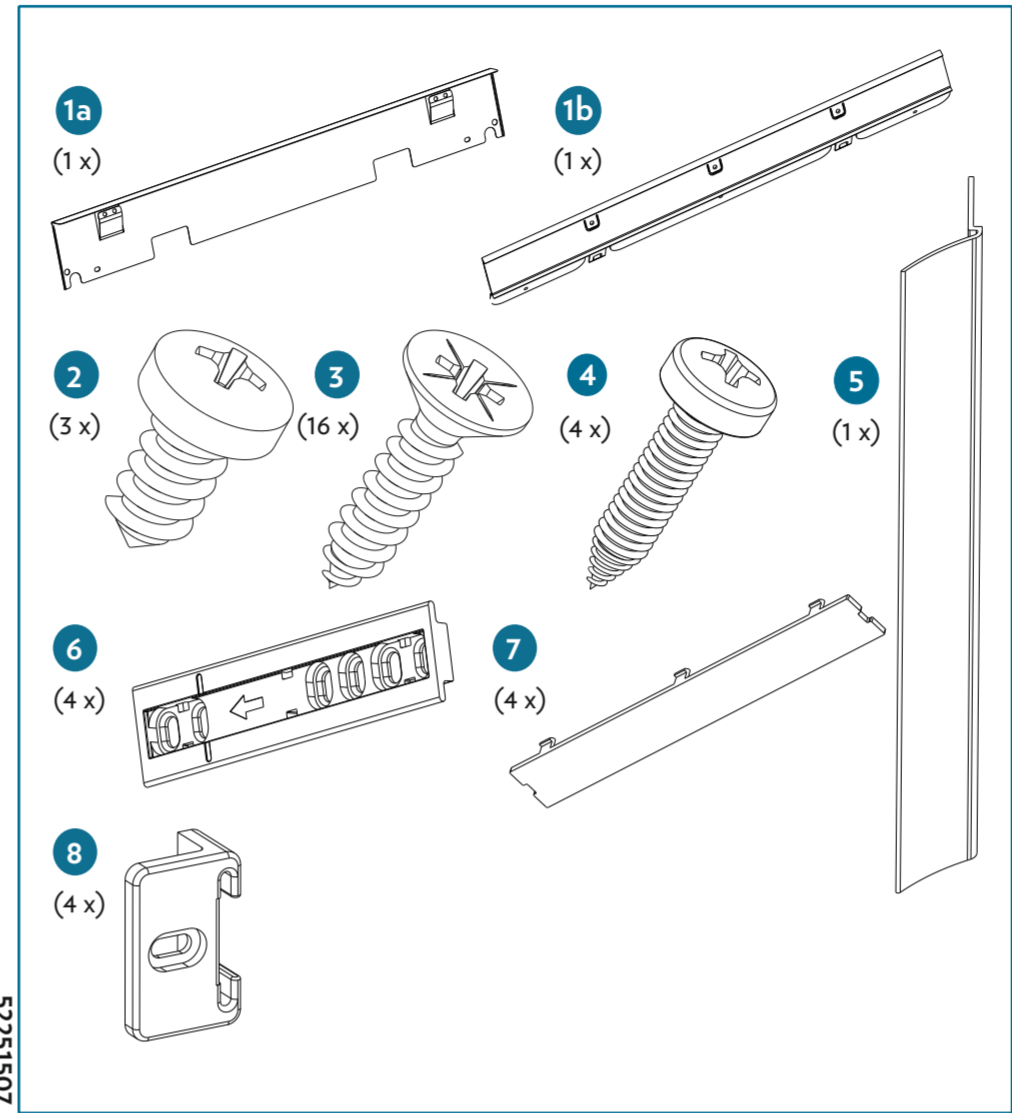
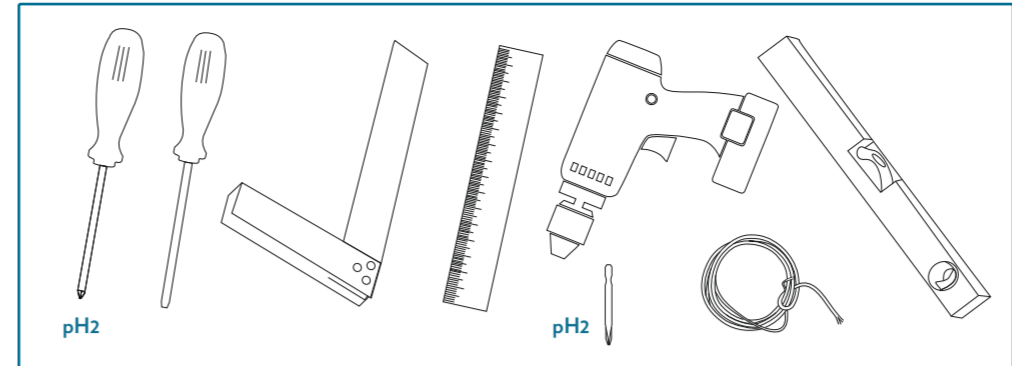
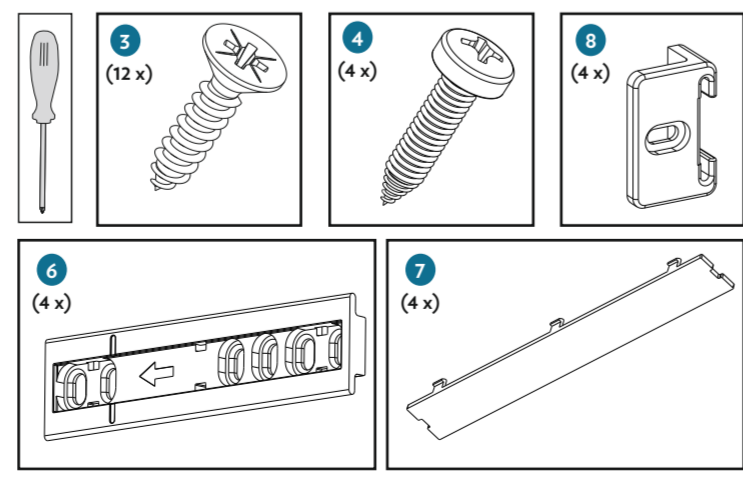


F



	1a	1b
A	1770 (mm)	1770 (mm)
B	660.3 (mm)	660.3 (mm)
C	623.5 (mm)	623.5 (mm)
D	995.5 (mm)	995.5 (mm)
E	1770 - 1778 (mm)	1770 - 1790 (mm)

