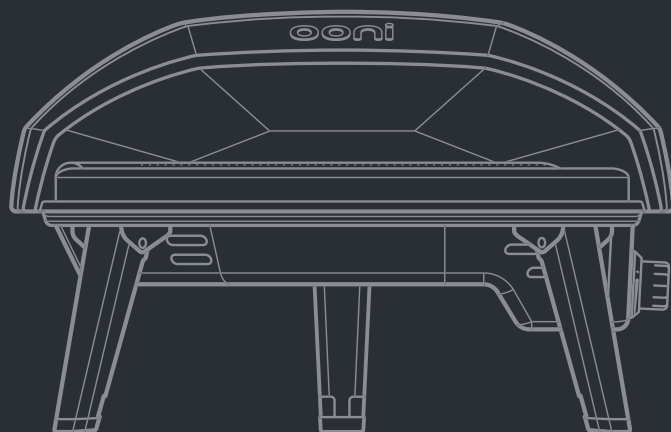




Ooni Koda 16 Electrode Replacement

Manual



Hello awesome Ooni Koda 16 owner!

It took Finlay, Pip and Kevin at Ooni HQ **ages** to make this guide to help you get the best results from Ooni Koda 16. We've poured in all of our experience of pizza and Ooni ovens, our technical knowledge and a whole lotta love to make sure this guide is as simple to follow as possible.

Our only goal is to make sure you make awesome pizza with no fuss. So please, read it from cover to cover before you start and follow the instructions carefully as you work through your maintenance or service.

Happy ooni-ing!

Pip - *Designer & pepperoni lover*

Finlay - *Engineer & margherita fanatic*

Kevin - *Ooni Experience & happy as long as it's hot, fresh and made in an Ooni oven*

Contact **support.ooni.com** if you have any questions about assembly.

Register your oven at **ooni.com/warranty** for a free warranty extension.

Before you begin

- Switch off Ooni Koda 16 and disconnect from any gas source
- Ensure that Ooni Koda 16 is completely cool
- Work on a clear surface in a low-dust workspace
- Gather the tools required
- Remove the stone baking board from Ooni Koda 16

Tips

- Make sure you have at least **40 minutes** to complete the conversion.
- Check out our video guide on YouTube to help you.
- You will need to supply your own Phillips head screwdriver and 19mm ($\frac{3}{4}$ ") wrench (if in the US).
- Do **NOT** use electric drills as these can strip bolts
- Have a compartmentalised box to store bolts and screws during assembly. This will help with reassembly

In this kit

- 1x Replacement Electrode

Step by step

Disconnect your propane regulator hose.

US: Using a 19mm ($\frac{3}{4}$ ") wrench, turn counter-clockwise until loose and then remove.

UK: Using a Phillips head screwdriver, turn counter-clockwise to loosen the jubilee clip and then twist counter-clockwise and pull the hose off of the gas terminal. The hose may be stiff on the gas terminal.

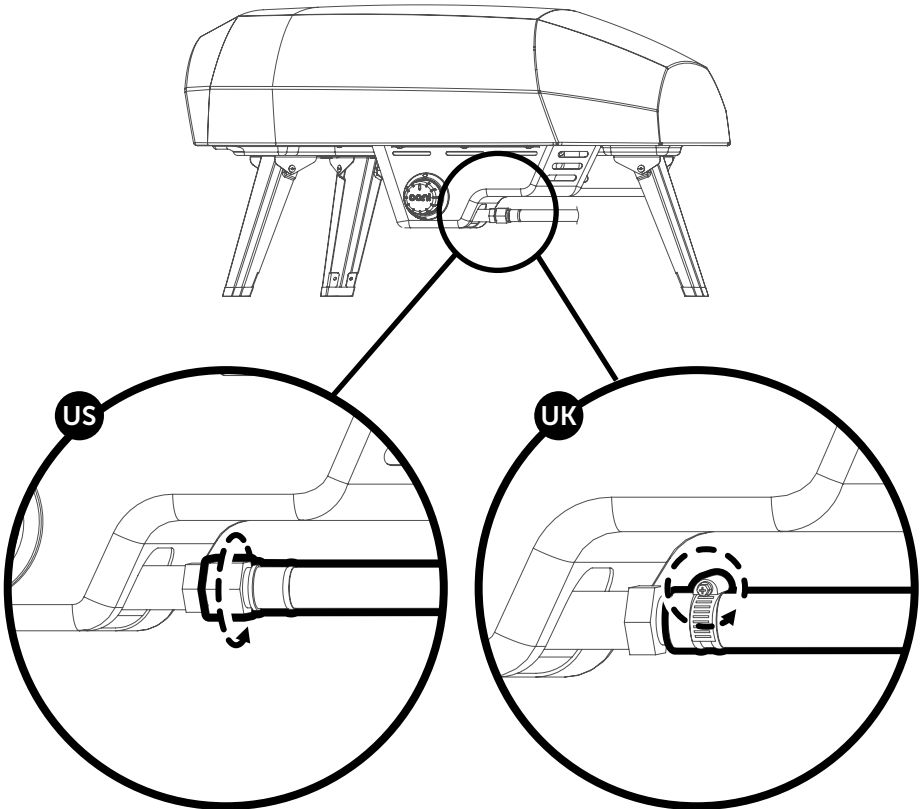
You will need:

US: 19mm ($\frac{3}{4}$ ") wrench

UK: Phillips head screw driver



Apply a hot wet towel to the hose to loosen the rubber if required.



Remove top shell

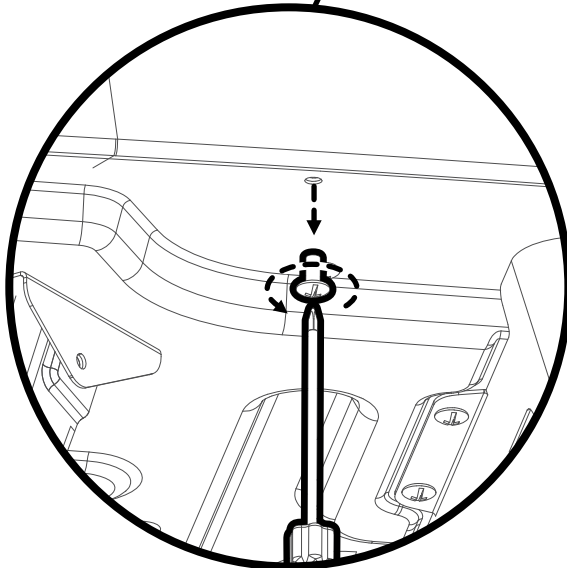
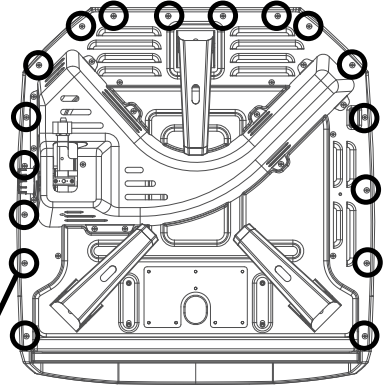
Remove the stone baking stone.

Using a Phillips head screwdriver, turn anticlockwise to remove 17 screws connecting the top shell to the oven base.

Set the screws aside for reassembly.

Carefully lift off the shell.

You will need:
Phillips head screwdriver



Removing the Control Panel

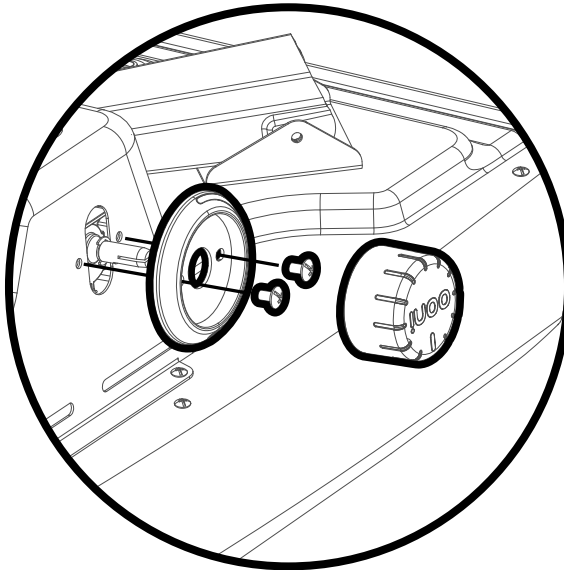
Carefully turn your Ooni Koda 16 over onto a soft surface.

You will need:
Phillips head screwdriver

Remove the control dial by pulling it off of the valve.

Using a Phillips screwdriver, unscrew the fixing collar screws counter-clockwise. Set the screws aside for reassembly.

Remove the collar.

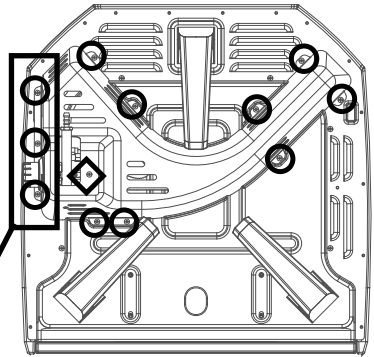


Removing the Control Box

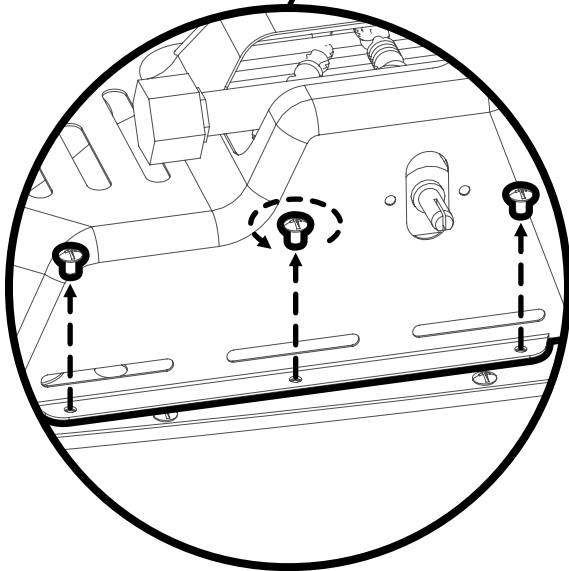
Using a Phillips head screwdriver, remove the black control box screws (11x 6mm 'O' & 1x 10mm '◇'). Set the screws aside for reassembly.

Gently lift off the black control box and set to one side.

You will need:
Phillips head screwdriver

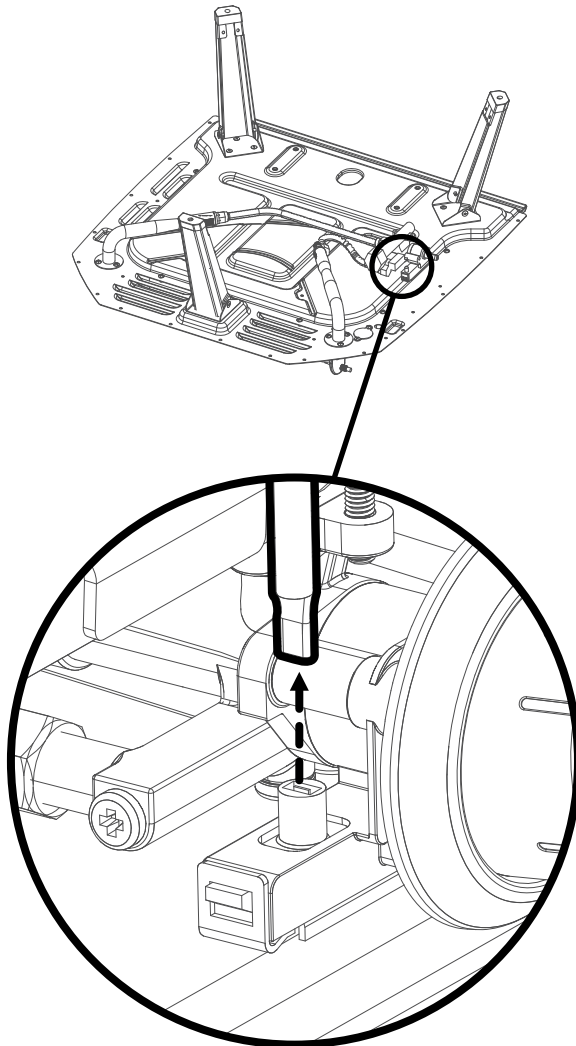


Screw locations



Remove the electrode

Unplug the black end of the electrode from the piezo on the valve by carefully pulling out.

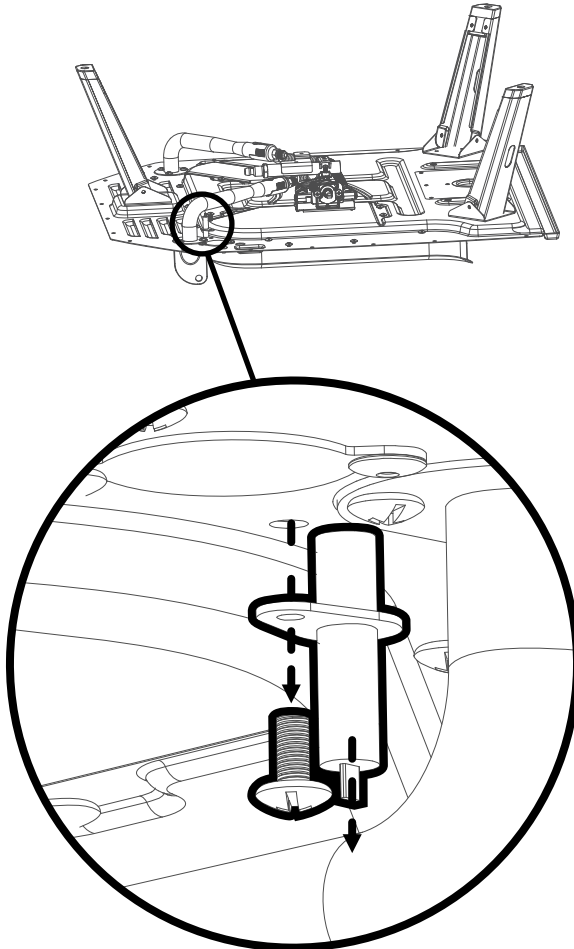


Using a Phillips head screwdriver, turn counter-clockwise to remove the screw that holds the white side and the electrode tip in place.

Pull out the electrode and its housing.

Carefully set aside the screw.

You will need:
Phillips head screwdriver



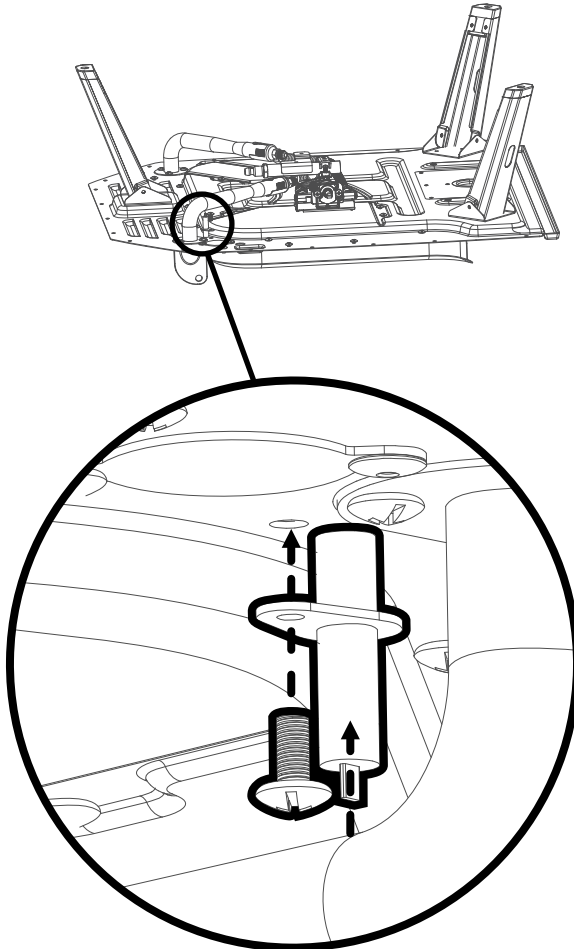
Replace the electrode

Take your new electrode and feed the tip and white end through the hole.

Position the new electrode in the correct orientation so that the bracket is aligned with the screw hole.

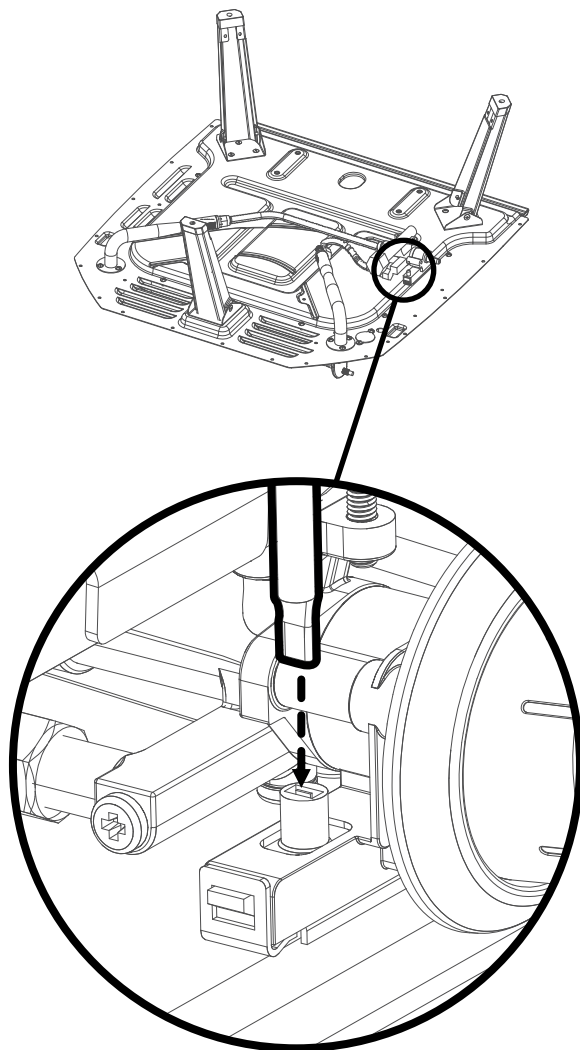
Using a Phillips head screwdriver, turn the screw clockwise to secure the electrode.

You will need:
Phillips head screwdriver



Plug the black electrode to the Piezo on the valve.

Ensure that the black sheath is covering the white socket.

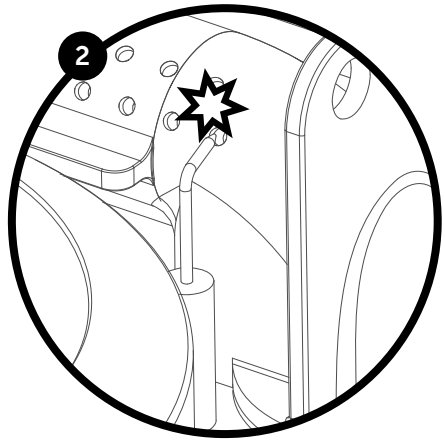
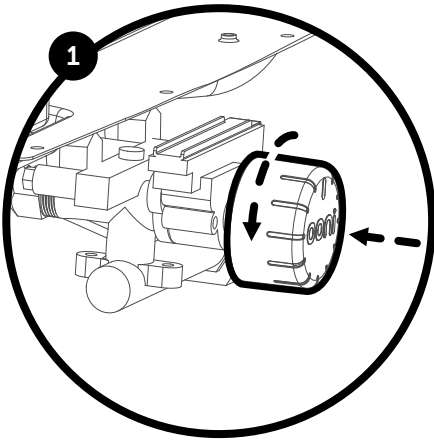
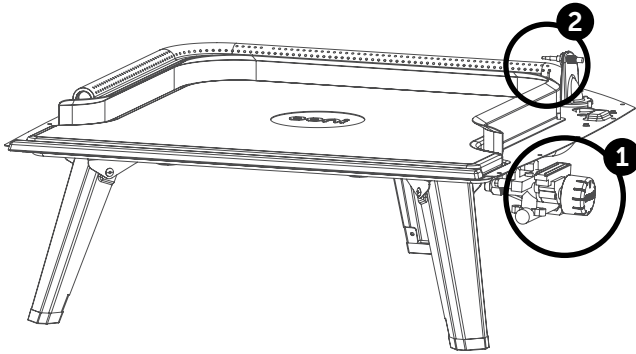


Check that the new electrode is sparking

Add the control dial back on to the valve stem.

Push in and turn the control dial anticlockwise until you hear a ***click*** and see a spark.

Remove the control dial from the stem.



If you do not see a spark:

- Check that the electrode is properly inserted in to the piezo.
- Check that the electrode tip is pointing backwards towards the burner.

For additional troubleshooting please visit support.ooni.com

Reassembling control box

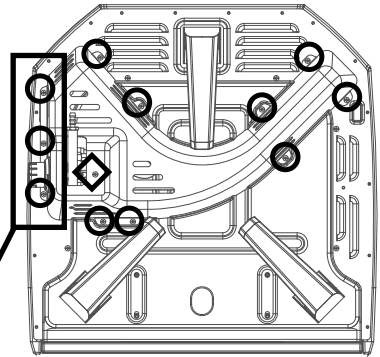
Gently place the black control box in position, carefully ensuring that the gas terminal and stem valve are both accessible.

Align the bolt holes with the oven body.

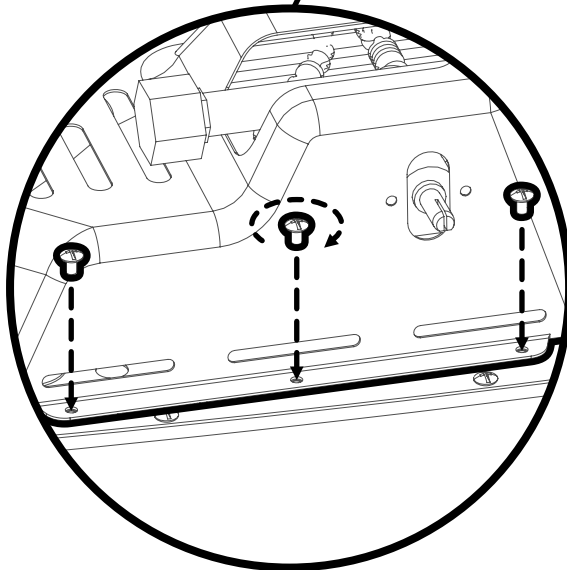
Using a Phillips head screwdriver, screw in 12 (11x 6mm 'O' & 1x 10mm '◇') control box screws clockwise until secure.

Do not over-tighten.

You will need:
Phillips head screwdriver



Screw locations



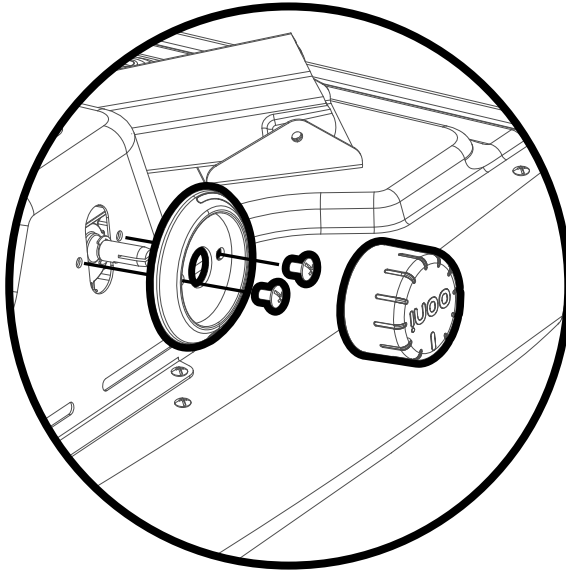
Adding collar and control dial

Place the collar back in to position. Make sure that it is aligned with the Control Dial.

Screw in both fixing dial screws fully until secure.

Place the gas control dial on to the stem.

You will need:
Phillips head screwdriver



Install top shell

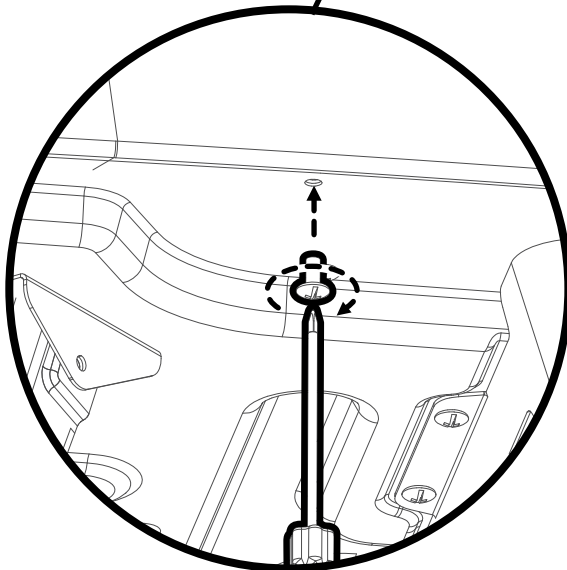
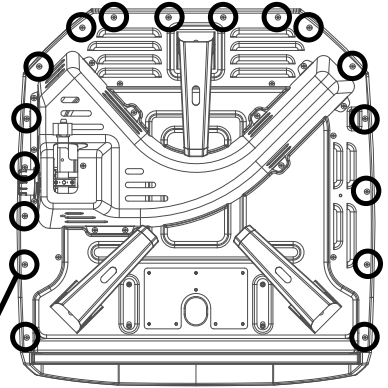
Place the top shell in position.

Using a Phillips head screwdriver, turn clockwise to fix the screws in to place (17).

You will need:
Phillips head screwdriver



You may find this easier by starting with Ooni Koda 16 upside-down. If you do, make sure you place it on a soft and scratch-proof surface.



Attaching the hose

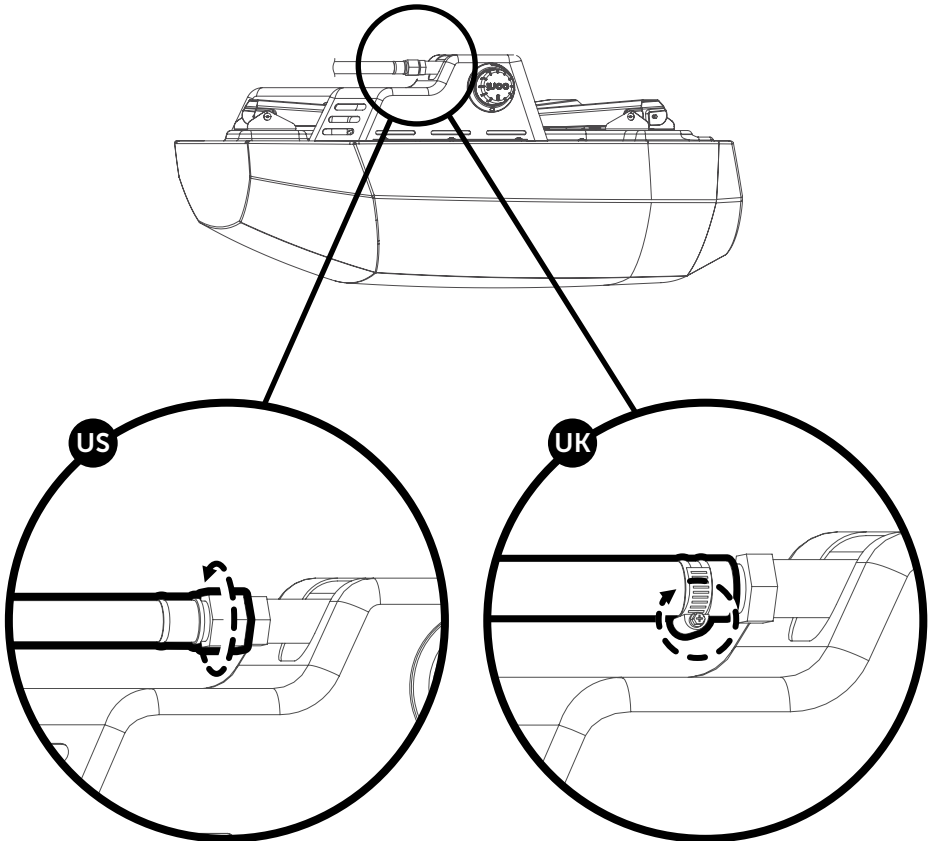
US: Turn clockwise using a 19mm ($\frac{3}{4}$ ") wrench until secure and tight.

UK: Push the hose back on the gas terminal. The hose may be stiff on the gas terminal. Dip in to hot water for 2 minutes if required.

Push the jubilee clip over the gas terminal and using a Phillips head screwdriver, turn clockwise to tighten the jubilee clip until secure.

Carry out a leak test.

You will need:
US: 19mm ($\frac{3}{4}$ ") wrench
UK: Phillips head screw driver



Notes

ooni



ooni.com

© 2020 Ooni

Ooni is a registered trademark of
Ooni Limited. All rights reserved

v1.0